
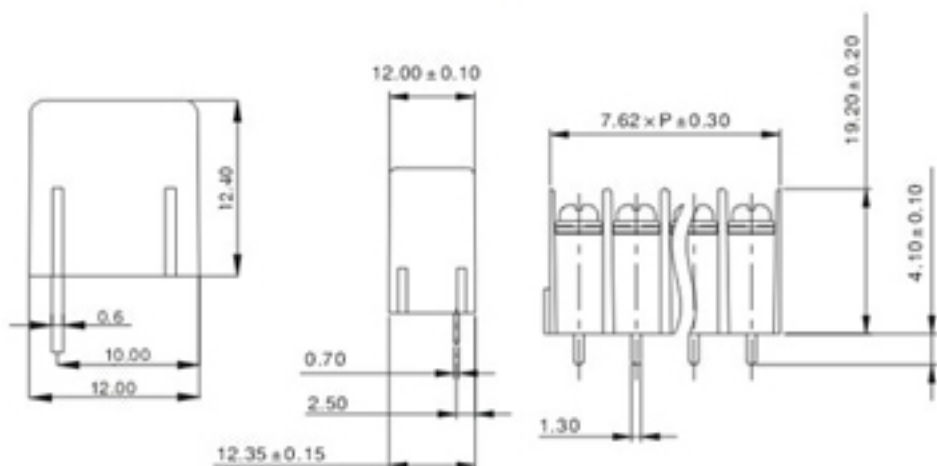




KV7620HL

APPROVAL	 Certification Link	CE
Standard	UL	IEC
Rated voltage	300V	450V
Rated current	20A	24A
Wire range	22-12AWG	2.5mm ²
Withstand Voltage	AC2000V/Min	
Insulation Resistance	500MQ/DC500V	
Mechanical		
Max.Torque Value	0.5N.m 4.4lb.in	
Ambient temperature	-40°C ~ +105°C	
Dimensions		
Pitch	8.5mm	
Poles	2P-4P	
Material		
Housing	PA66GF, UL 94V-0	
Terminal	Brass, 0.8t, Tin-Plated	
Screws	Steel, M3 Ni-Plated	



HOW TO ORDER :

- P - 1 -

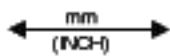


X	X	X
Customer Request		

Series number

No. of pole

Color

1 Grey	4 Green	7 Iron Paint
2 Blue	5 Orange	8 Yellow
3 Black	6 Red	9 White

	 China · Kang Wei electronics co., LTD
	NAME KV7620HL